

Mechanical Fail-Safe Actuator with emergency function for adjusting air dampers in ventilation and air conditioning systems in buildings.

- Torque: 30Nm
- Nominal voltage: AC/DC 24V
- Control: Open/Close
- 2xSPDT auxiliary switches

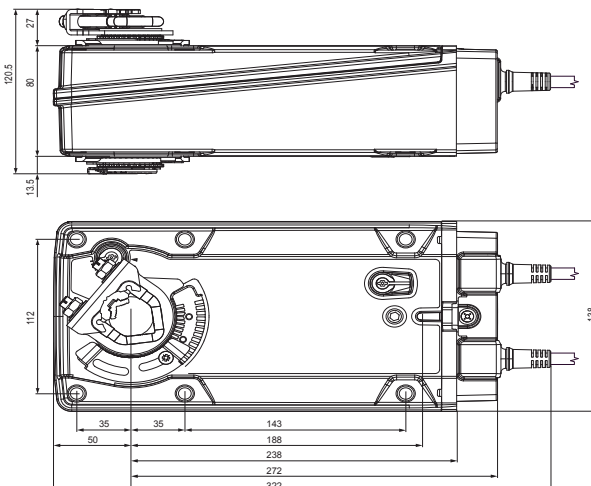
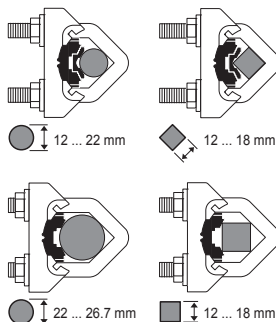


## Technical data

Electrical data		Nominal voltage	AC 24V 50/60Hz, DC 24V
		Nominal voltage range	AC 19.2...28.8V / DC 21.6...28.8V
		Power consumption	9.5W @ nominal torque / 4.5W @ holding
		For transformer sizing	16VA
		Auxiliary switch (-S2)	2xSPDT, 1mA...3(0.5)A, AC 250V one fixed at 10%, one adjustable 10...90%
		Connecting cable-motor	Cable 1m, 2x0.75mm <sup>2</sup>
		-auxiliary switch	Cable 1m, 6x0.75mm <sup>2</sup>
Functional data		Torque	30Nm @ nominal voltage
		Position accuracy	±5%
		Direction of rotation	Selectable by mounting L/R
		Manual override	With hand crank and interlocking switch
		Angle of rotation	Max. 95°, can be limited with adjustable mechanical end stops
		Running time	-motor 60s -spring return 20s @ -20 ...+50°C / max. 60s @ -30°C
		Sound power level	-motor Max. 55dB(A) -spring return Max. 71dB(A)
Working conditions		Position indicator	Mechanical
		Protection class	III (safety extra-low voltage)
		Degree of protection	IP54
		EMC	CE according to 2004/108/EC
		Mode of operation	Type 1.AA.B (EN60730-1)
		Ambient temp.	-30...+50°C
		Non-operation temp.	-40...+80°C
		Humidity	5...95% RH, non-condensing
		Maintenance	Maintenance-free
Dimensions / weight		Dimensions (LxWxH)	See "Dimensions"
		Weight	4.5kg

## Dimensions [mm]

Damper spindle	Length	● I	■ I	◆ I
	≥117	12 ... 26.7	>12	<25.2
	≥20	12 ... 26.7	>12	<25.2



Mechanical Fail-Safe Actuator with emergency function for adjusting air dampers in ventilation and air conditioning systems in buildings.

- Torque: 30Nm
- Nominal voltage: AC/DC 24V
- Control signal: DC (0)2...10V
- Position feedback signal: DC 2...10V

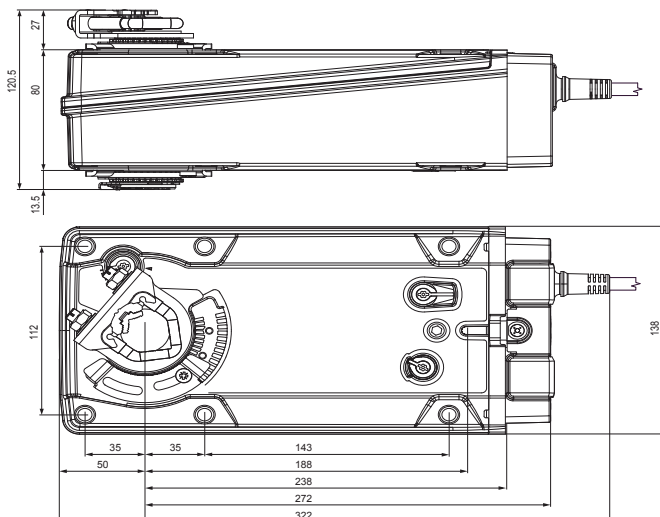
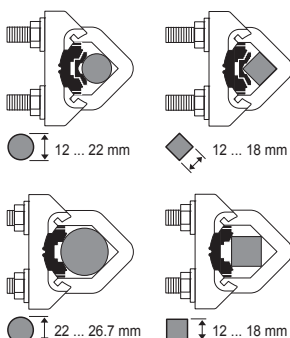


## Technical data

Electrical data			
Nominal voltage		AC 24V 50/60Hz, DC 24V	
Nominal voltage range		AC 19.2...28.8V / DC 21.6...28.8V	
Power consumption		7W @ nominal torque / 4.5W @ holding	
For transformer sizing		12VA	
Connecting cable		Cable 1m, 4x0.75mm <sup>2</sup>	
Functional data			
Torque		30Nm @ nominal voltage	
Control signal Y		DC (0)2...10V @ input impedance 100kΩ	
Position feedback signal U		DC 2...10V @ max. 0.5mA	
Position accuracy		±5%	
Direction of rotation		Reversible with switch ↺ / ↻ selectable by mounting L / R	
Manual override		With hand crank and interlocking switch	
Angle of rotation		Max. 95°, can be limited with adjustable mechanical end stops	
Running time		-motor	150s
		-spring return	20s @ -20 ...+50°C / max. 60s @ -30°C
Sound power level		-motor	Max. 45dB(A) @ 150s running time
		-spring return	Max. 71dB(A)
Position indicator		Mechanical	
Protection class		III (safety extra-low voltage)	
Degree of protection		IP54	
EMC		CE according to 2004/108/EC	
Mode of operation		Type 1.AA (EN60730-1)	
Ambient temp.		-30...+50°C	
Non-operation temp.		-40...+80°C	
Humidity		5...95% RH, non-condensing	
Maintenance		Maintenance-free	
Dimensions / weight			
Dimensions (LxWxH)		See "Dimensions"	
Weight		4.3kg	

## Dimensions [mm]

Damper spindle	Length	● I	■ I	◆ I
	≥117	12 ... 26.7	>12	<25.2
	≥20	12 ... 26.7	>12	<25.2



Mechanical Fail-Safe Actuator with emergency function for adjusting air dampers in ventilation and air conditioning systems in buildings.

- Torque: 30Nm
- Nominal voltage: AC 230V
- Control: Open/Close
- 2xSPDT auxiliary switches

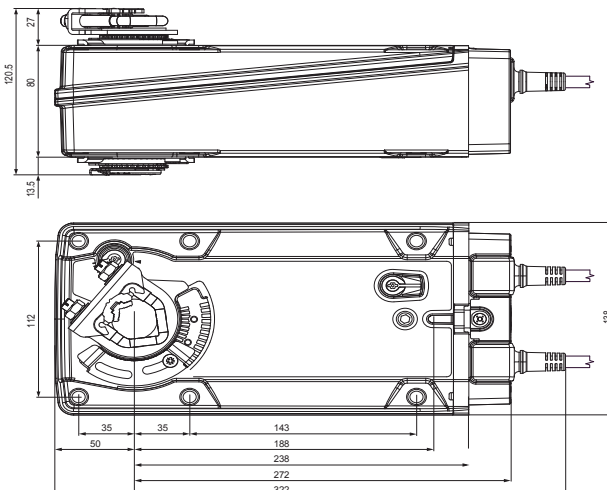
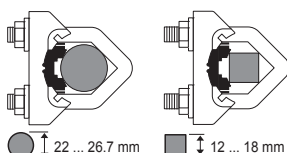
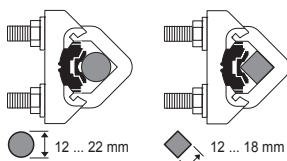


## Technical data

Electrical data		Nominal voltage	AC 230V 50/60Hz
		Nominal voltage range	AC 198...264V
		Power consumption	9.5W @ nominal torque / 4.5W @ holding
		For transformer sizing	22VA
		Auxiliary switch (-S2)	2xSPDT, 1mA...3(0.5)A, AC 250V one fixed at 10%, one adjustable 10...90%
		Connecting cable -motor	Cable 1m, 2x0.75mm <sup>2</sup>
		-auxiliary switch	Cable 1m, 6x0.75mm <sup>2</sup>
Functional data		Torque	30Nm @ nominal voltage
		Position accuracy	±5%
		Direction of rotation	Selectable by mounting L/R
		Manual override	With hand crank and interlocking switch
		Angle of rotation	Max. 95°, can be limited with adjustable mechanical end stops
		Running time -motor	60s
		-spring return	20s @ -20 ...+50°C / max. 60s @ -30°C
		Sound power level -motor	Max. 55dB(A)
		-spring return	Max. 71dB(A)
		Position indicator	Mechanical
Working conditions		Protection class	II (Totally insulated)
		Degree of protection	IP54
		EMC Low voltage directive	CE according to 2004/108/EC CE according to 2006/95/EC
		Mode of operation	Type 1.AA.B (EN60730-1)
		Ambient temp.	-30...+50°C
		Non-operation temp.	-40...+80°C
		Humidity	5...95% RH, non-condensing
		Maintenance	Maintenance-free
Dimensions / weight		Dimensions (LxWxH)	See "Dimensions"
		Weight	4.5kg

## Dimensions [mm]

Damper spindle	Length	● I	■ I	◆ I
	≥117	12 ... 26.7	>12	<25.2
	≥20	12 ... 26.7	>12	<25.2

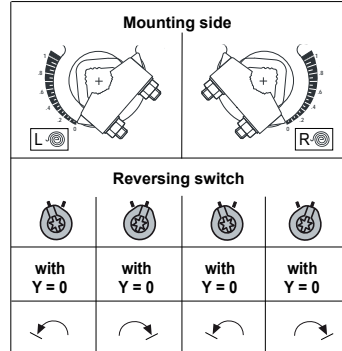
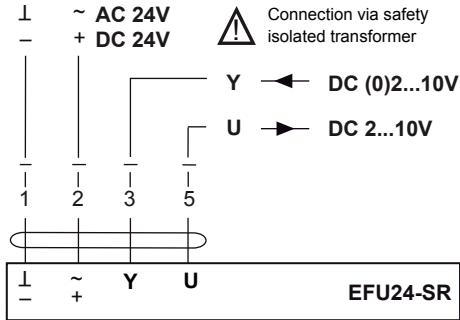


## Wiring diagrams

### Modulating control

**Notes:**

- Connection via safety isolating transformer.
- Parallel connection of several actuators is possible.
- Power consumption must be observed.



### Open/Close control

**Notes:**

- Parallel connection of several actuators is possible.
- Power consumption must be observed.

